

Video converter

RL-UCON-D1

Compatible with
Fiat vehicles with
7inch all-in-one radio or
Uconnect 5 infotainment with 10inch monitor



example

Video converter for digital rear-view camera input

Product features

- Video converter for digital rear-view camera systems
- 1 video input for AHD 720p PAL rear-view camera (RCA)
- Automatic conversion of an AHD camera signal at the reversing camera input when reverse gear is engaged

Contents

1. Prior to installation

- 1.1. Delivery contents
- 1.2. Checking the compatibility of vehicle and accessories
- 1.3. Boxes and connectors – video interface
- 1.4. Settings - 8 Dip switches (black)

2. Installation

- 2.1. Place of installation
- 2.2. Connection schema
- 2.3. Connection – power and picture signal cable
- 2.4. Connection – AHD Kamera

3. Specifications

4. Technical support

Legal Information

By law, watching moving pictures while driving is prohibited, the driver must not be distracted. We do not accept any liability for material damage or personal injury resulting, directly or indirectly, from installation or operation of this product. Apart from using this product in an unmoved vehicle, it should only be used to display fixed menus or rear-view-camera video when the vehicle is moving (for example the MP3 menu for DVD upgrades).

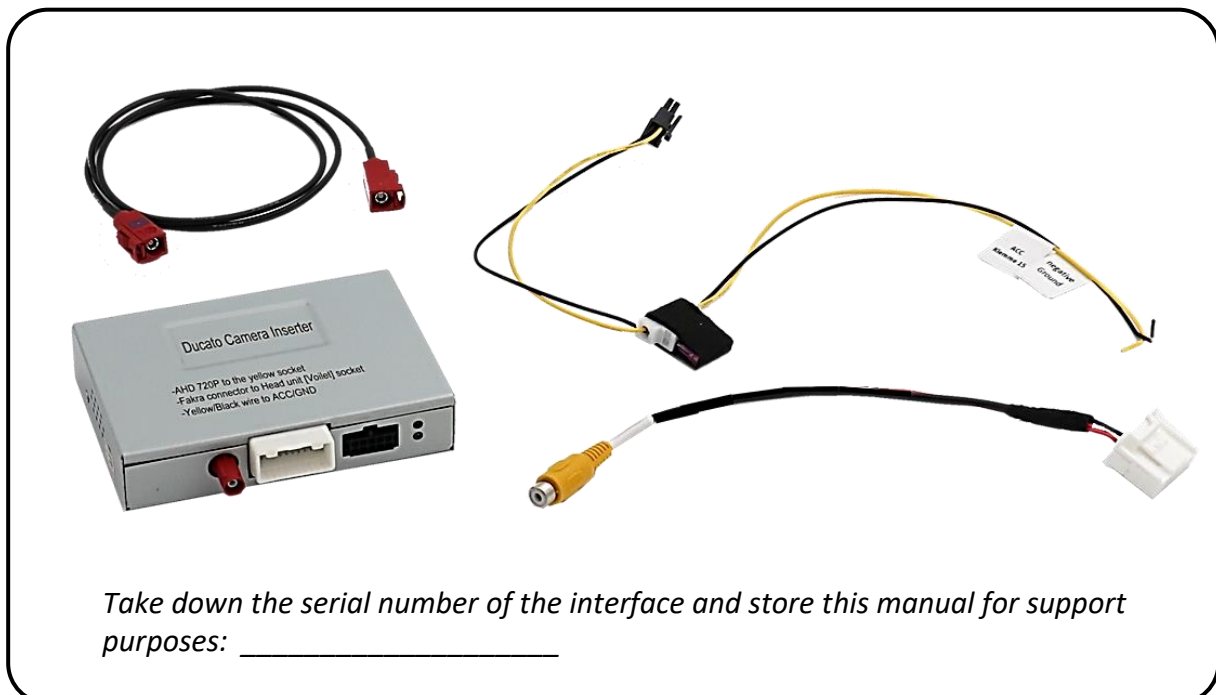
Changes/updates of the vehicle's software can cause malfunctions of the interface. Up to one year after purchase we offer free software-updates for our interfaces. To receive a free update, the interface has to be sent in at own cost. Wages for de-and reinstallation and other expenditures involved with the software-updates will not be refunded.

1. Prior to installation

Read the manual prior to installation. Technical knowledge is necessary for installation. The video interface's place of installation must be free of moisture and away from heat sources.

Before the final installation in the vehicle of the video sources, we recommend a test-run to ensure the compatibility of vehicle and interface. Due to changes in the production of the vehicle manufacturer there's always a possibility of incompatibility.

1.1. Delivery contents



1.2. Checking the compatibility of vehicle and accessories

Requirements		
Brand	Compatible vehicles	Compatible systems
Fiat	Ducato3 (series 8) since model year 2021	R1LOW Mitsubishi 7inch all-in-one radio Uconnect5 R1 EXT with 10inch tablet monitor with separate head-unit

Limitations:

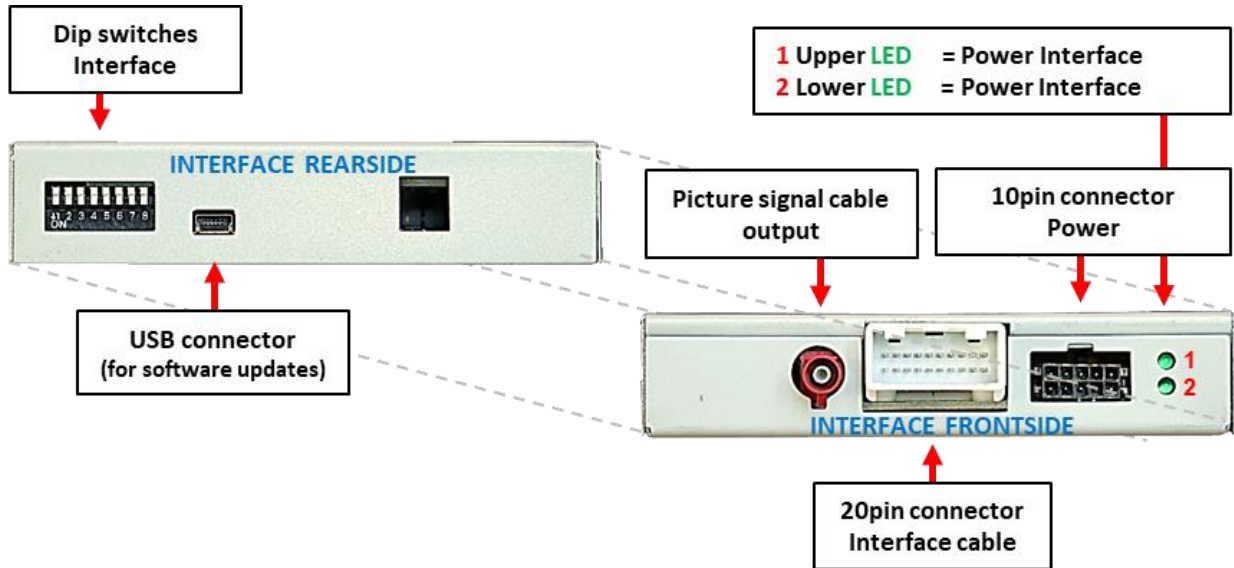
<i>Coding*</i>	Vehicle must already be coded for rear view camera by the factory.
<i>Video input signal</i>	Compatible only with 720p AHD camera with PAL signal.
<i>After-market Rear-view camera</i>	The connected AHD camera must be continuously current stable to avoid damage due to overload.

* A prerequisite for the converter function is a factory precoding which can be recognised by the blue screen on the display when reverse gear is engaged (see picture).



1.3. Boxes and connectors – video interface

The video-interface converts the video signals of connected after-market sources in a factory monitor compatible picture signal which is inserted in the factory monitor, by using separate trigger options. Further it reads the vehicle's digital signals out of the vehicle's CAN-bus and converts them for the video interface.



1.4. Settings - 8 Dip switches (black)

Some settings have to be selected by the dip-switches on the video interface. Dip position down is ON and position up is OFF.



Set all dip switches to OFF

Dip 1	Dip 2	Dip 3	Dip 4	Dip 5	Dip 6	Dip 7	Dip 8
OFF ↑	OFF ↑	OFF ↑	OFF ↑	OFF ↑	OFF ↑	OFF ↑	OFF ↑

After each Dip-switch-change a power-reset of the Video interface has to be performed!

2. Installation

To install the interface, first switch off the ignition and disconnect the vehicle's battery. Please read the owner's manual of the car, regarding the battery's disconnection! If required, enable the car's Sleep-mode (hibernation mode) In case the sleep-mode does not succeed, the disconnection of the battery can be done with a resistor lead.

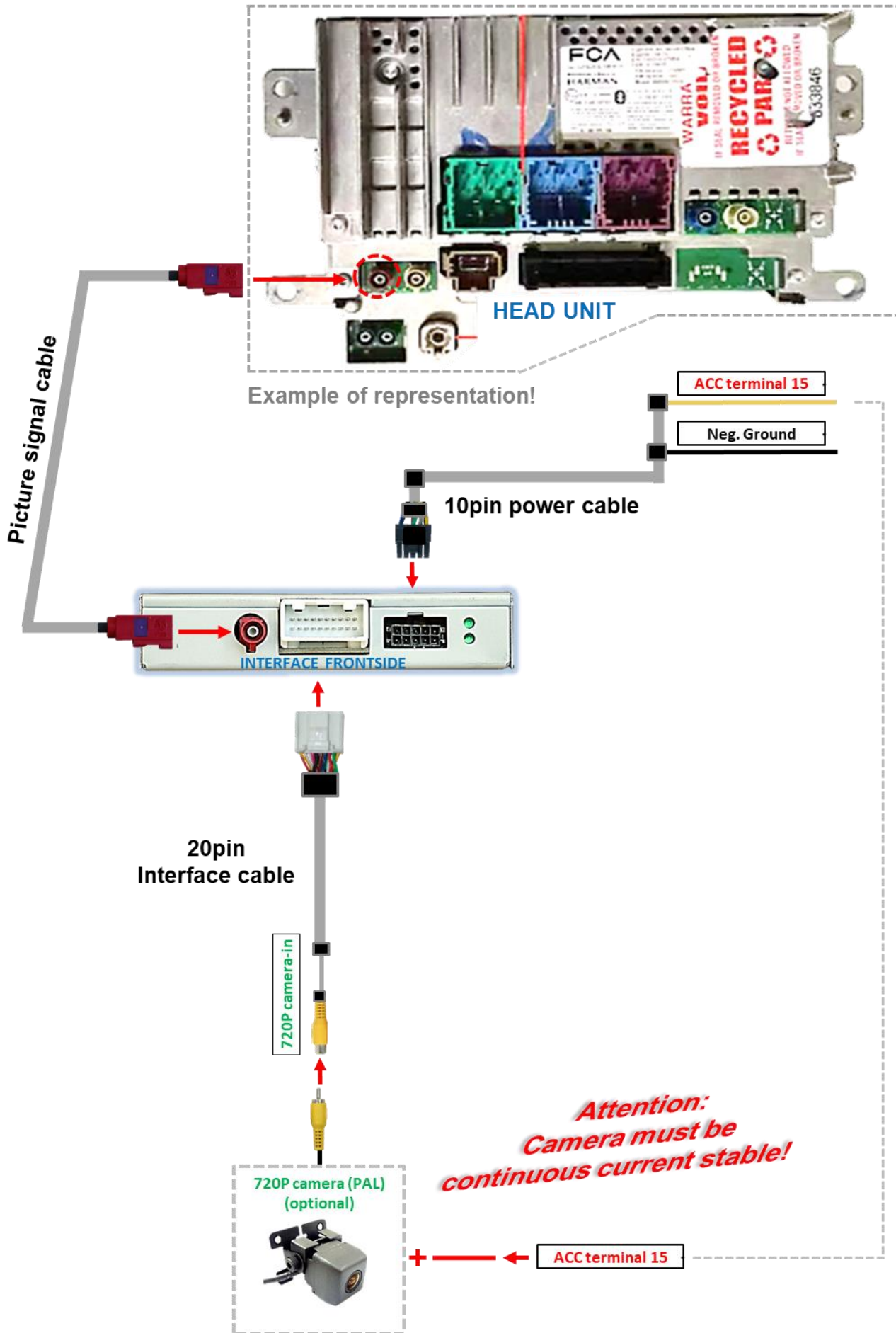
As with any installation of retrofit equipment, a stand-by test is necessary after the installation of the video interface, to ensure that the unit also switches off after reaching the vehicle's sleep mode.

Before the final installation, we recommend a test-run of the interface. Due to changes in the production of the vehicle manufacturer, there's always the possibility of incompatibility.

2.1. Place of connection

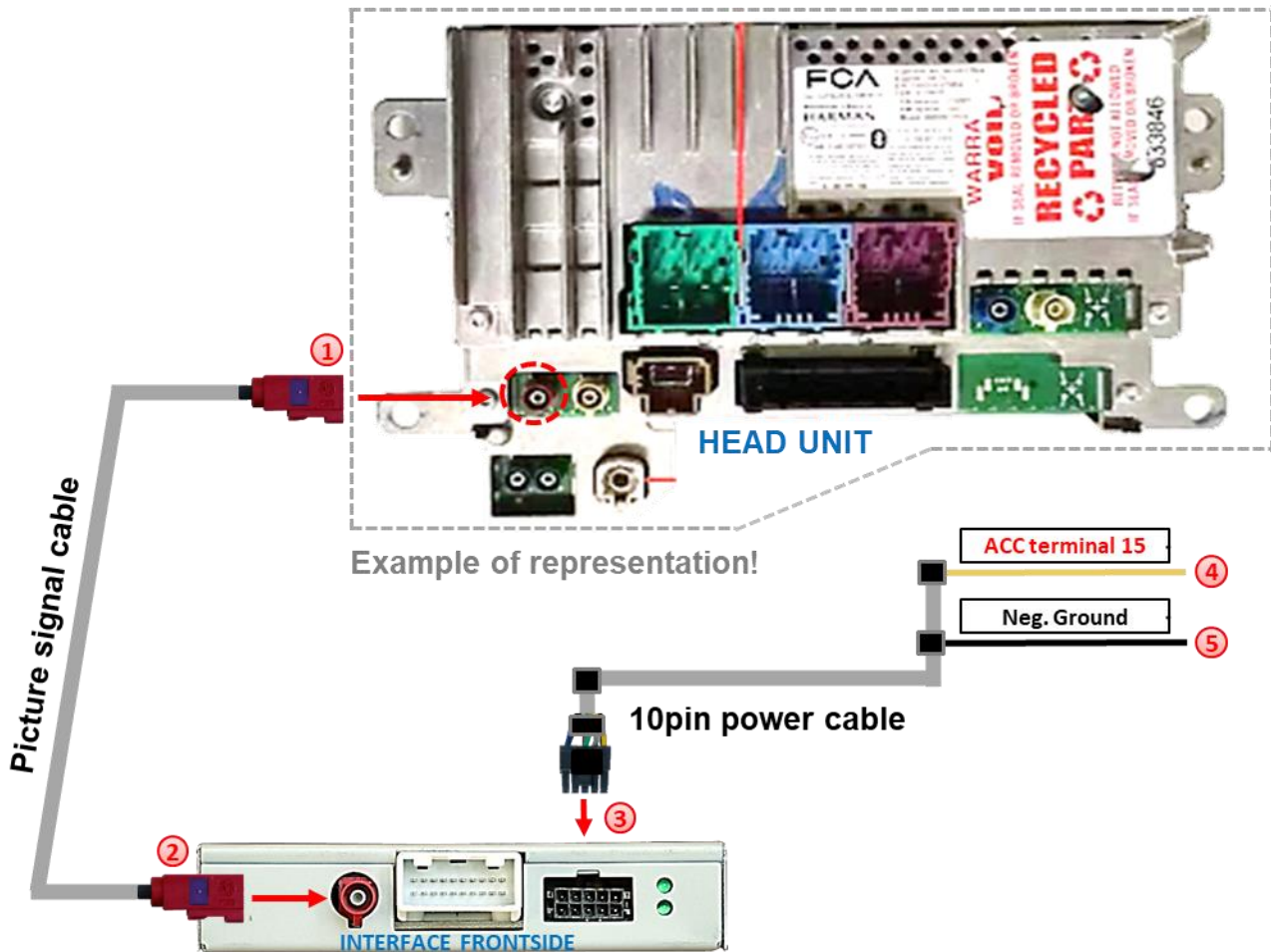
The video interface has to be connected at a suitable location behind the vehicle's head-unit.

2.2. Connection schema



2.3. Connection – power and picture signal cable

Remove the head unit

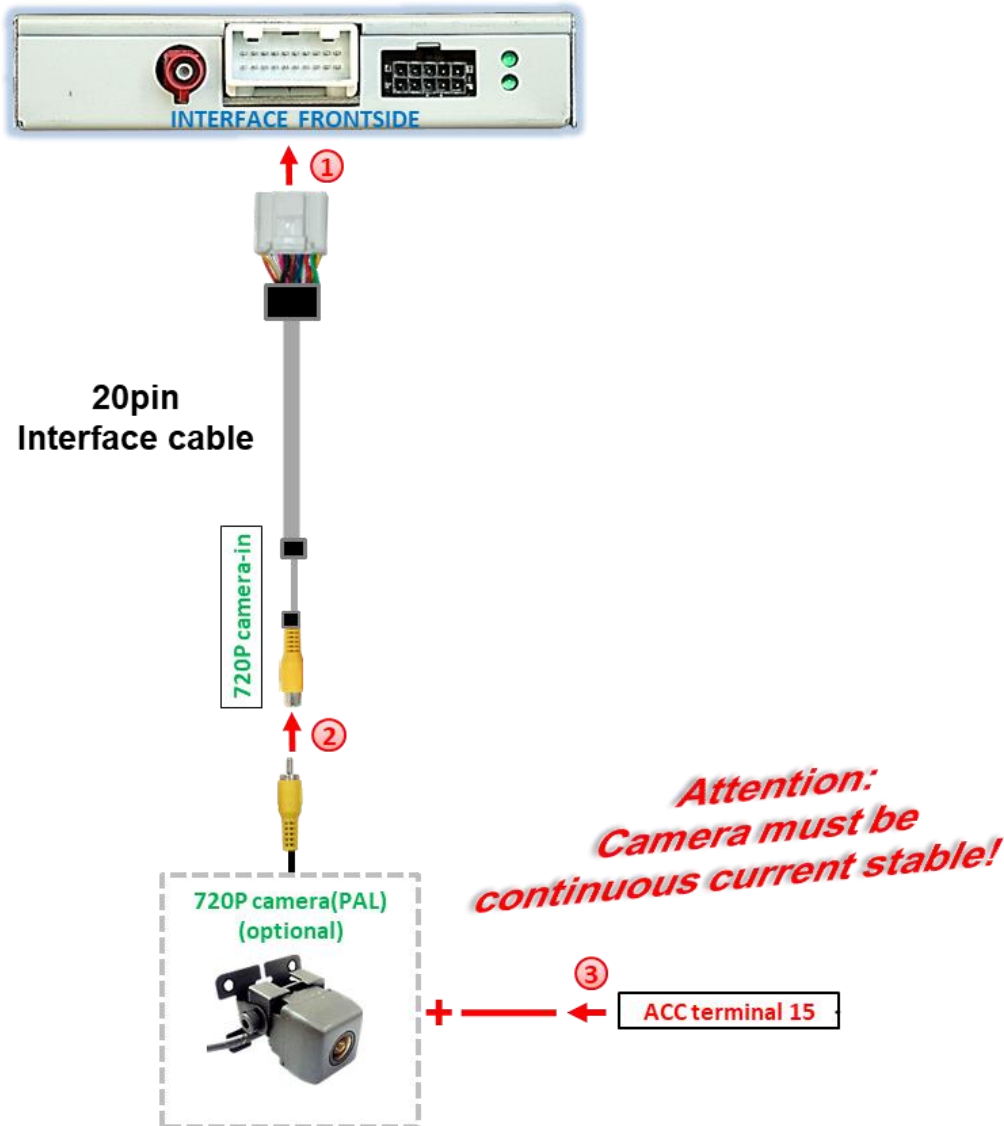


- 1 Connect the female bordeaux-coloured Fakra connector of the enclosed picture signal cable to the male bordeaux-coloured Fakra connector of the factory head unit.
- 2 Connect the opposite female bordeaux-coloured Fakra connector of the enclosed picture signal cable to the male bordeaux-coloured Fakra connector of the video interface.
- 3 Connect the female 10pin connector of the 10pin power cable to the male 10pin connector of the video interface.
- 4 Connect the yellow wire of the 10pin power cable to **+12V ACC (terminal 15)**.
- 5 Connect the black wire of the 10-pin power cable to negative ground.

2.4. Connection – AHD Kamera

Note: Only compatible with 720p AHD camera with PAL signal!

Before a final installation of the video sources, we recommend a test-run to ensure the compatibility of vehicle and interface. Due to changes in the production of the vehicle manufacturer there's always a possibility of incompatibility.



- 1 Connect the 20pin interface cable's female 20pin connector to the male 20pin connector of the video-interface.
- 2 Connect the video RCA of the AHD camera to the 20pin interface cable's female RCA connector „720P Camera-IN“.
- 3 Connect the power cable of the AHD camera to +12V ACC as previously done with the yellow wire of the 10pin power cable.

Note: Due to the ACC power supply, the camera must be continuously current stable to avoid damage due to overload.

3. Specifications

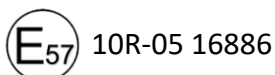
BATT/ACC range	7V - 25V
Current consumption	98mA @12V
Video input	0.7V - 1V
Video input formats	PAL
Temperature range	-40°C to +85°C
Dimensions video-box	107 x 95 x 24 mm (W x H x D)

4. Technical support

Please note that direct technical support is only available for products purchased directly from Navlinkz GmbH. For products bought from other sources, contact your vendor for technical support.

NavLinkz GmbH
distribution/tech dealer-support
Heidberghof 2
D-47495 Rheinberg

Tel +49 2843 1759500
Email mail@navlinkz.de



Made in China

